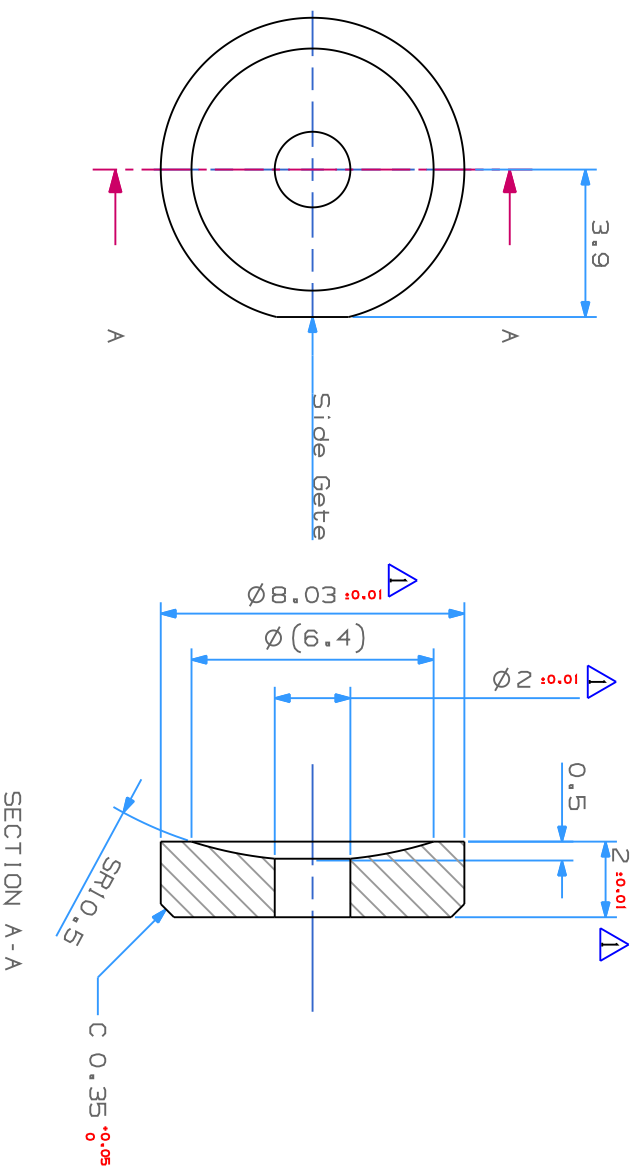


Item	18t	Unit
OD	6.4	mm
ID	3	mm
Area	25.1	mm <sup>2</sup>
限界面圧	210	N/mm <sup>2</sup>
限界押付力	5271	N
限界押付力	537	kgf
Nozzle押付力	300	kgf
安全率	1.8	n/o

Max Nozzle Pressing Forec:300kgf



Revisions	By
Modified -3	Mk 251031

Size	A4	
Scale	5:1	Unit: 1/1mm
Material:	Aurum	Qty: 1
Heat Treatment:	n/a	
Surface Treatment:	NONE	
Untoleranced Dimensions :	+-0.1	
Drawn :	Designed :	Approved :
Mk	Mk	
Date :	25-06-05	

Title :

Spiral Logic

Zirkon 11

For 18t

Drawing No.:

VZ01-0001

- 1) File Stored in Tooling\MoldDrawing\Others\SpiralLogic\VZ\_Aurum\_Zirkon\
- VZ01.prt Layer 1
- 2) All missing part, reder 3D CAD File.