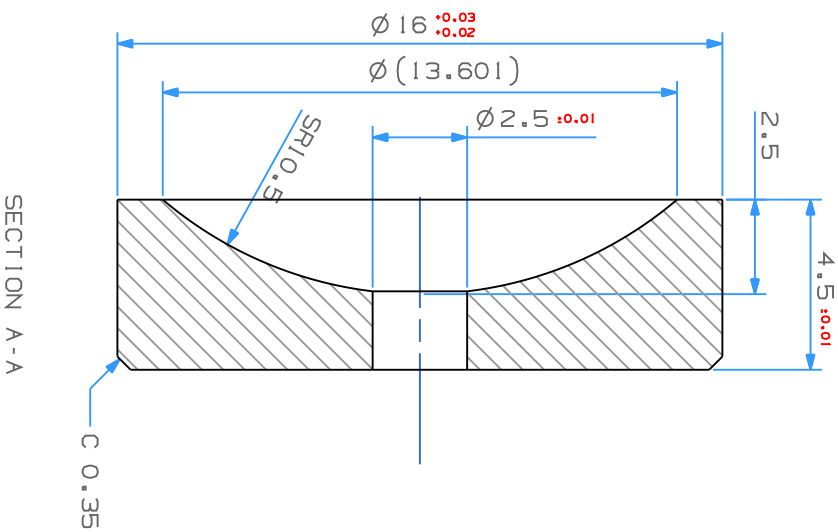
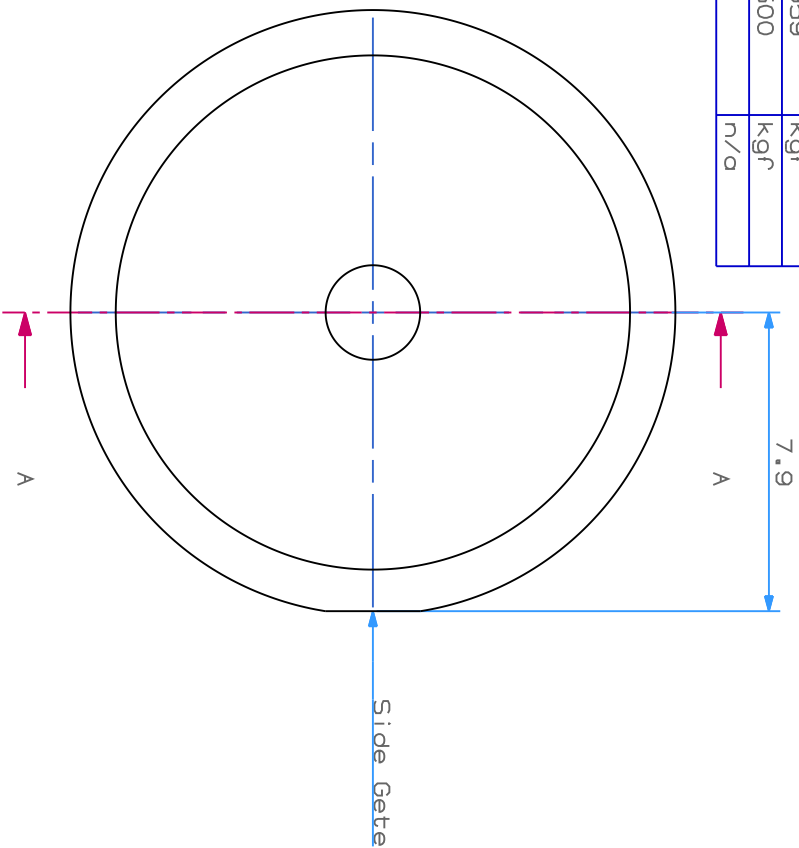


Item	30t-130t	Unit
OD	13.6	mm
ID	3	mm
Area	138	mm <sup>2</sup>
限界面圧	210	N/mm <sup>2</sup>
限界押付力	29022	N
限界押付力	2959	kgf
Nozzle押付力	1500	kgf
安全率	2	n/a

Max Nozzle Pressing Forec:1500kgf



- 1) File Stored in Tooling\MoldDrawing\Others\SpiralLogic\VZ\_Aurum\_ZirkON\
- VZ02.prt Layer 1
- 2) All missing part, reder 3D CAD File.

9			
8			
7			
6			
5			
4			
3			
2			
1			
Revisions		By	
Size	A4		
Scale	5:1	Unit:	1/mm
Material:	Aurum	Qty:	1
Heat Treatment:	n/a		
Surface Treatment:	NONE		
Untoleranced Dimensions :	+0.1		
Drawn :	Designed :	Approved :	
MK	MK		
Date :	25-11-04		
Title :			
Spiral Logic			
ZirkON 11			
For 30-130t			
Drawing No.:			
VZ02-0001			